



Product Technical Specification

**CRP 33m**

**Creasing & Perforation Machine**

V.PT722.0.1

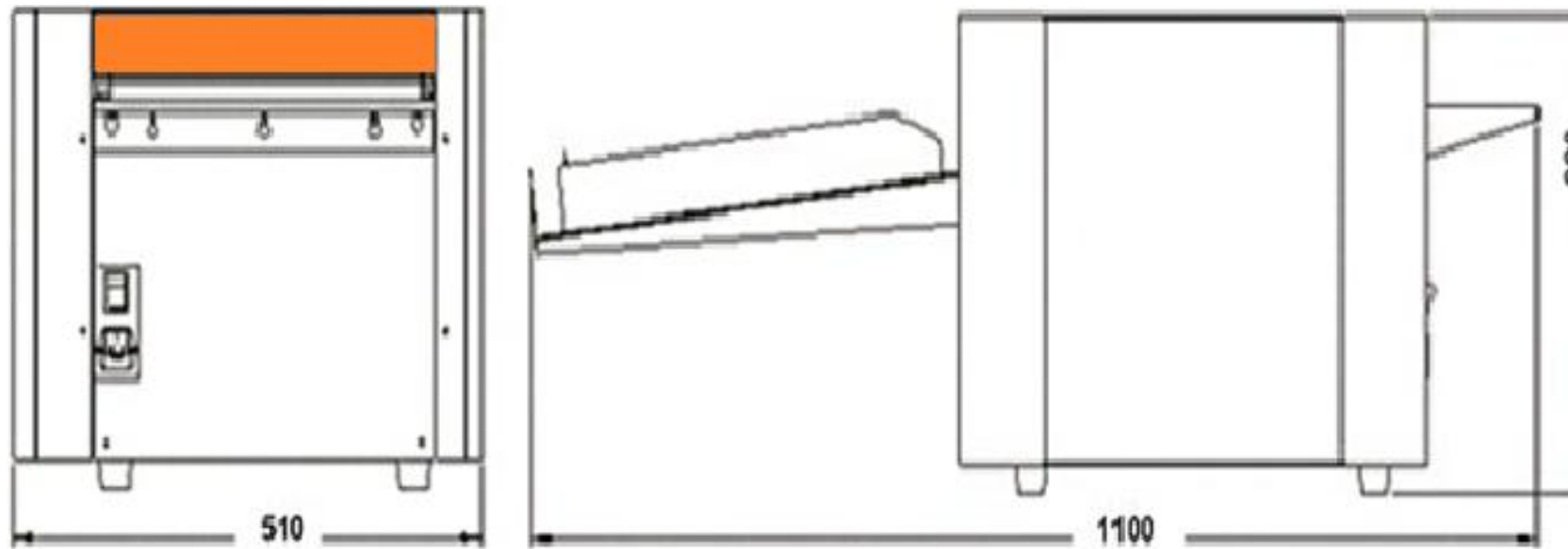




**CRP 33m**  
**Creasing & Perforation Machine**

# CRP 33m

## DIMENSION



# TECHNICAL SPECIFICATION

<b>MACHINE DIMENSION</b>	<b>1100 x 510 x 380 ( mm )</b>
<b>POWER</b>	<b>220V AC ( 50HZ )</b>
<b>POWER CONSUMPTION</b>	<b>150 WATT</b>
<b>PAPER LENGTH</b>	<b>90 mm – 900 mm</b>
<b>PAPER WIDTH</b>	<b>50 mm – 330 mm</b>
<b>PAPER THICKNESS FOR CREASE</b>	<b>MIN 100 gsm – MAX 350 gsm</b>
<b>PAPER THICKNESS FOR PERFORATING</b>	<b>MIN 100 gsm – MAX 250 gsm</b>
<b>MIN CREASE GAP</b>	<b>CREASE : 1mm : PERFORATING : 10 mm</b>
<b>MIN GAP FROM LEADING EDGE TO FIRST CREASE</b>	<b>CREASE : 1mm : PERFORATING : 10 mm</b>
<b>SPEED</b>	<b>35 – 42 SHEETS / MIN</b>
<b>MAX CREASE IN SINGLE PASS</b>	<b>32</b>
<b>PROGRAM MEMORY MAX</b>	<b>30</b>

# FEATURES

- Manual Feeding
- Sizes from visit card to 330 mm x 650 mm
- From 70 gsm to 380 gsm card
- First and last crease to 5 mm from edge
- Optional linear perforating blade and scoring blade.
- Skew adjustment.
- Crease bar auto release when paper jammed.
- Can creasing on laminated / UV coated paper.
- Infinite crease depth adjustment.
- LCD panel operation display.



[pinnacletechnocrats.com](http://pinnacletechnocrats.com)



[sales@pinnacletechnocrats.com](mailto:sales@pinnacletechnocrats.com)

