



Product Technical Specification

**CRP 33m**

**Creasing & Perforation Machine**

V.PT722.0.1



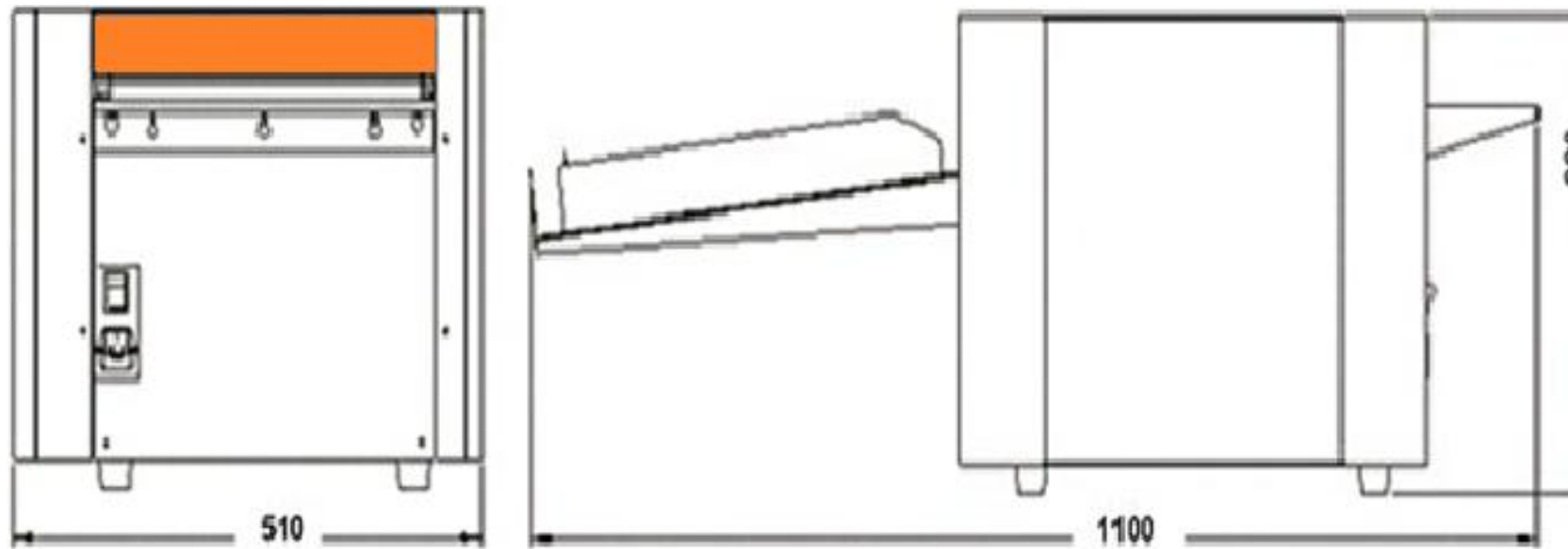


**CRP 33m**  
**Creasing & Perforation Machine**



# CRP 33m

## DIMENSION



# TECHNICAL SPECIFICATION

|  |   |
|--|---|
| <b>MACHINE DIMENSION</b>                         |   |
| <b>POWER</b>                                     | <b>220V AC ( 50HZ )</b>                   |
| <b>POWER CONSUMPTION</b>                         | <b>150 WATT</b>                           |
| <b>PAPER LENGTH</b>                              |   |
| <b>PAPER WIDTH</b>                               | <b>20 inch – 508 mm</b>                   |
| <b>PAPER THICKNESS FOR CREASE</b>                | <b>MIN 100 gsm – MAX 350 gsm</b>          |
| <b>PAPER THICKNESS FOR PERFORATING</b>           | <b>MIN 100 gsm – MAX 250 gsm</b>          |
| <b>MIN CREASE GAP</b>                            | <b>CREASE : 1mm : PERFORATING : 10 mm</b> |
| <b>MIN GAP FROM LEADING EDGE TO FIRST CREASE</b> | <b>CREASE : 1mm : PERFORATING : 10 mm</b> |
| <b>SPEED</b>                                     | <b>35 – 42 SHEETS / MIN</b>               |
| <b>MAX CREASE IN SINGLE PASS</b>                 | <b>32</b>                                 |
| <b>PROGRAM MEMORY MAX</b>                        | <b>30</b>                                 |

# FEATURES

- Manual Feeding
- Sizes from visit card to 330 mm x 650 mm
- From 70 gsm to 380 gsm card
- First and last crease to 5 mm from edge
- Optional linear perforating blade and scoring blade.
- Skew adjustment.
- Crease bar auto release when paper jammed.
- Can creasing on laminated / UV coated paper.
- Infinite crease depth adjustment.
- LCD panel operation display.



[pinnacletechnocrats.com](http://pinnacletechnocrats.com)



[sales@pinnacletechnocrats.com](mailto:sales@pinnacletechnocrats.com)

