



Product Technical Specification

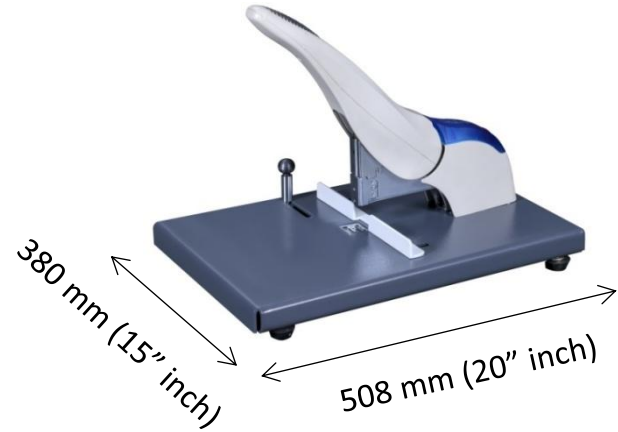
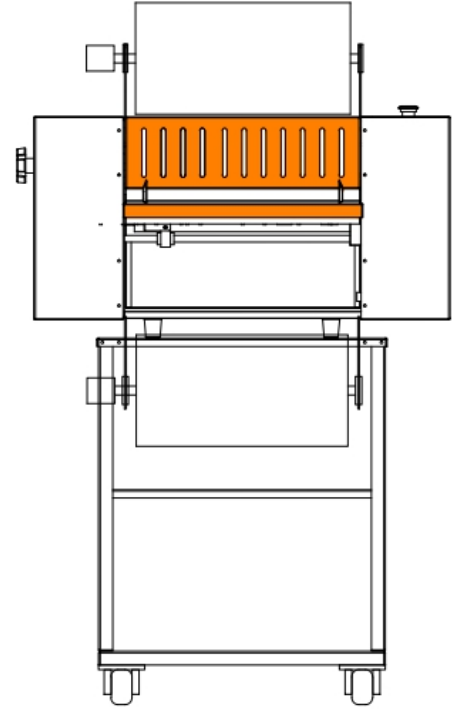
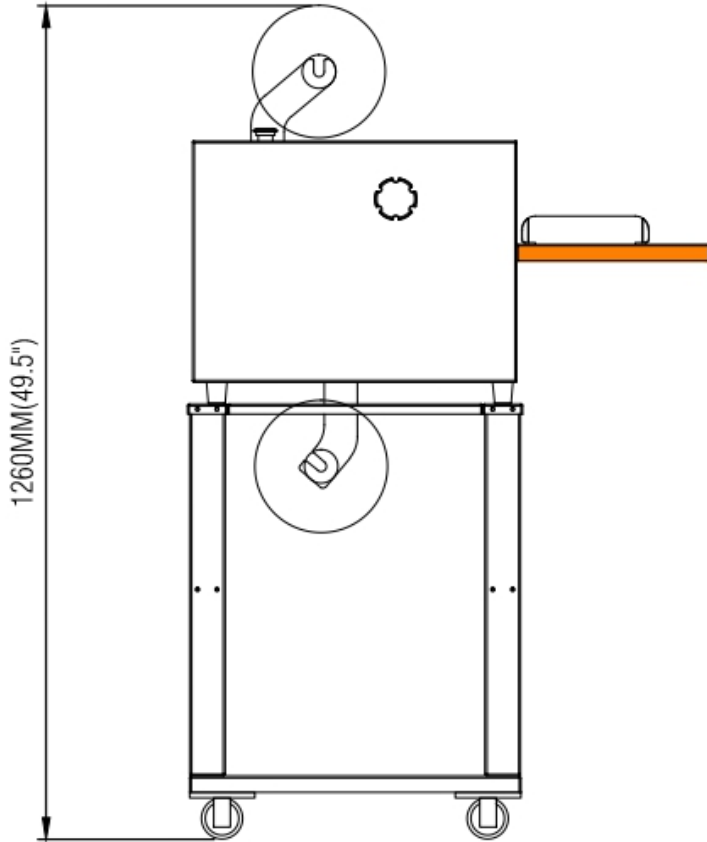
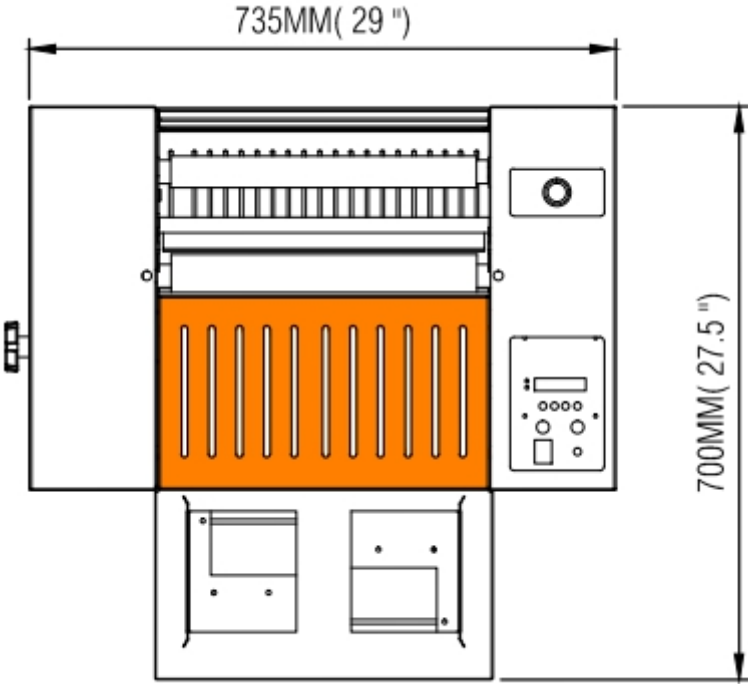
THERMAL LAMINATION LP13 SLM

Slitting with Thermal Lamination



THERMAL LAMINATION LP13 SLM Manual Feeding & Manual Cutting

THERMAL LAMINATION LP13 SLm FLOOR DIMENSION



TECHNICAL SPECIFICATION

MACHINE DIMENSION 13 (inch)	735 x 700 x 1260 (mm)
POWER SUPPLY	220V AC (50 Hz)
POWER CONSUMPTION 13 (inch)	1800 WATTS
LAMINATION SPEED	UPTO 5 MTR / MIN
MAX PAPER SIZE	330 mm 13" (INCH)
THICKNESS OF PAPER	170 GSM – 300 GSM

*** Any type of Media / Paper static charge should be less then 2KW at the time of binding process ***

Thermal Lamination LP 13 SLM is a combination of Slitting & Double Side Lamination to create a Flat Open Photo Book. You can use it either for Inline **Slitting** with Double Side Lamination or only for **Laminating** purpose of Double Side Lamination also.

FEATURES

- User friendly Keypad Control Display to operate various functions.
- Manual Feeding System
- Manual Cut After Lamination
- High Accuracy Sensor has been provided to maintain Accurate Temperature.
- Easily controlled speed for varied papers and lamination films, speed up to 5 mtr /min.
- 1”(Inch) core for small lamination Film roll & 3”(Inch) core for jumbo Film roll.
- Standby mode to save the power consumption on idle condition of the machine

FEATURES

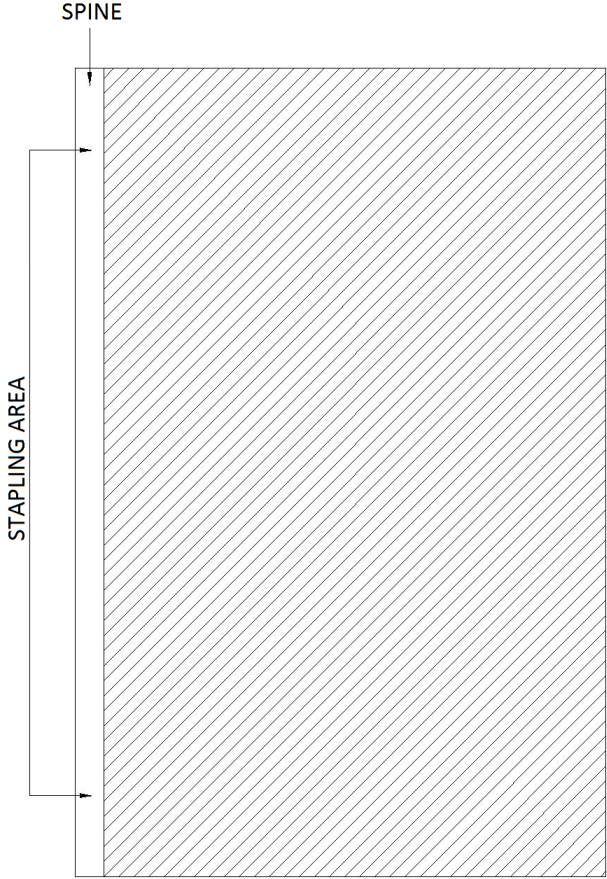


Slitting Device



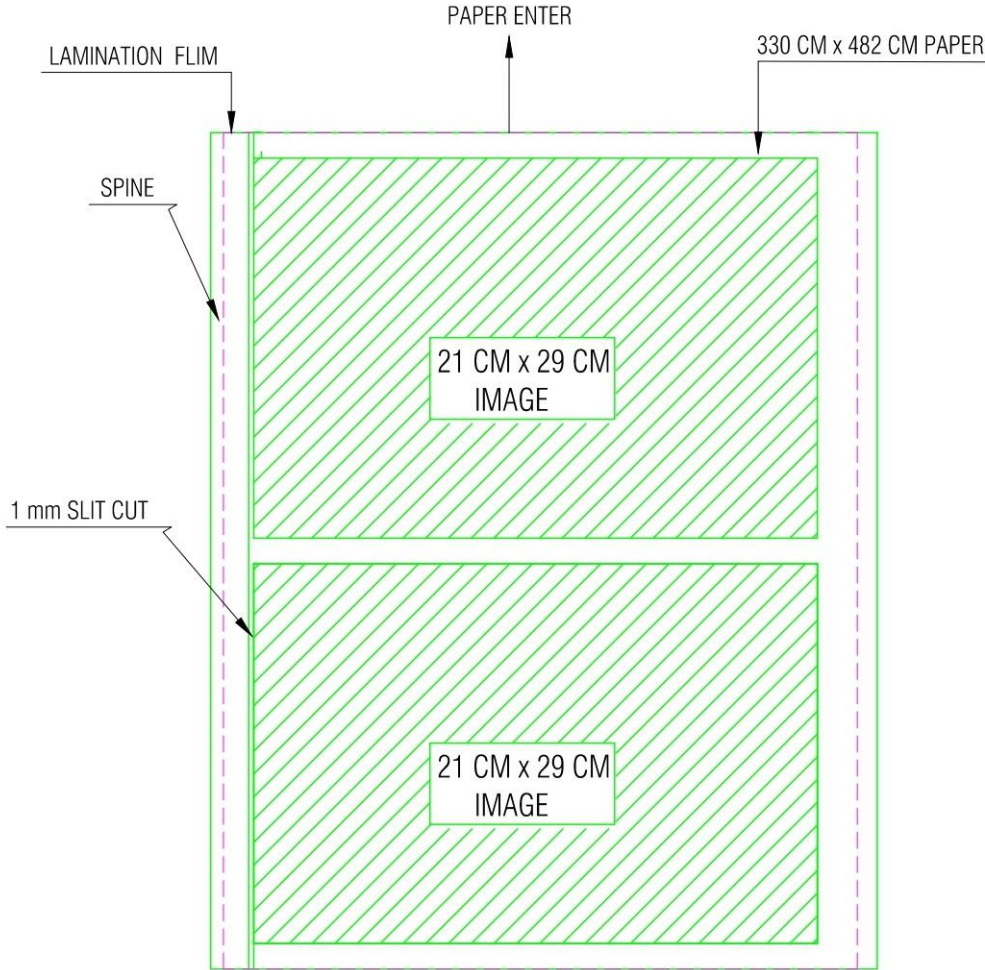
Dust Cleaning Roll

SPINE & STAPLING AREA



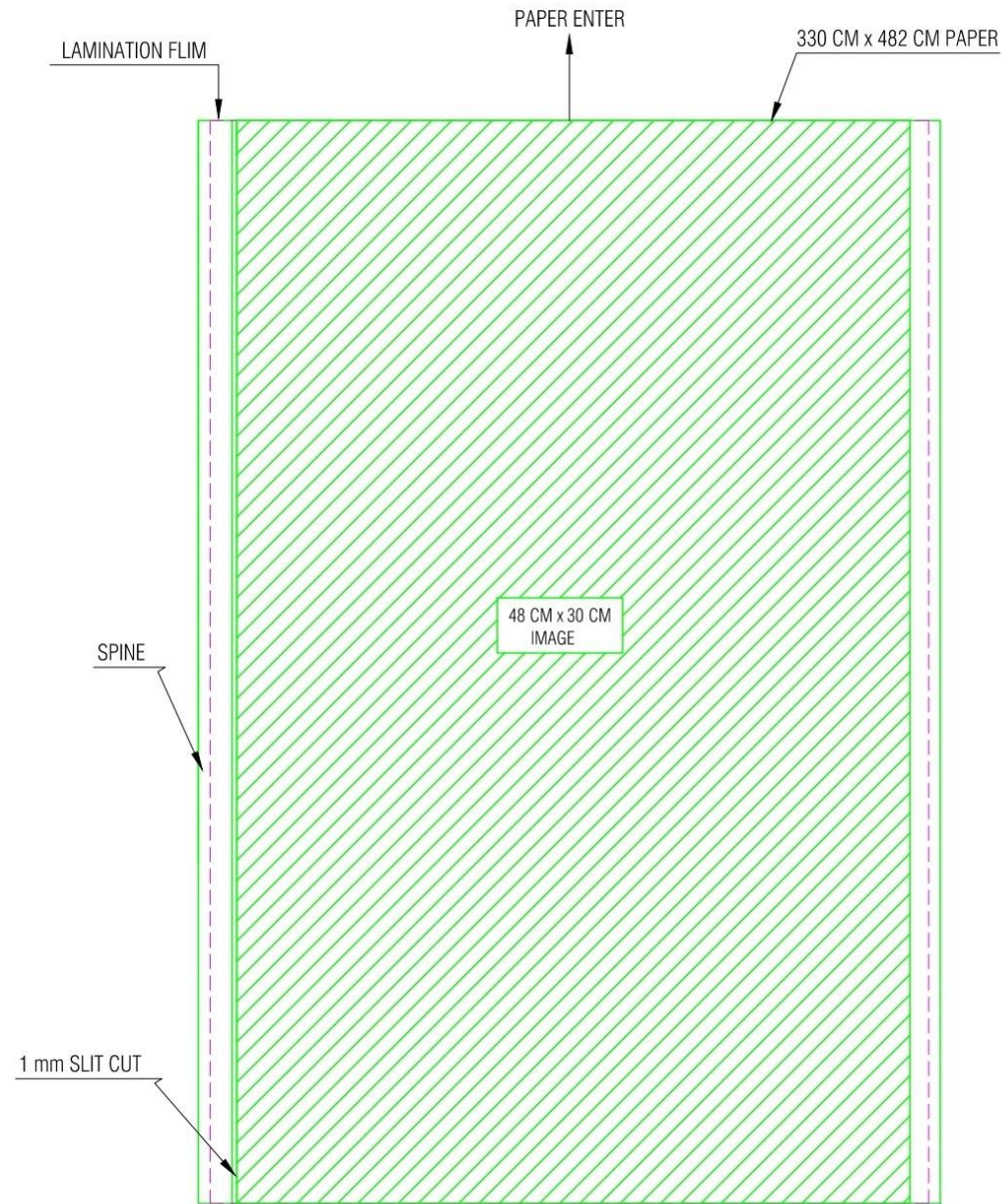
REQUIRED SPINE DISTANCE MINIMUM 15 MM

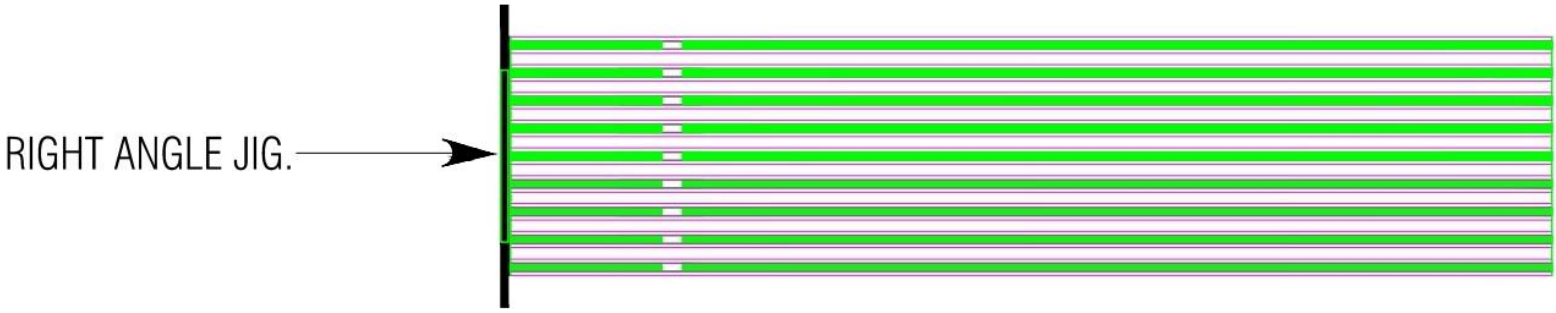
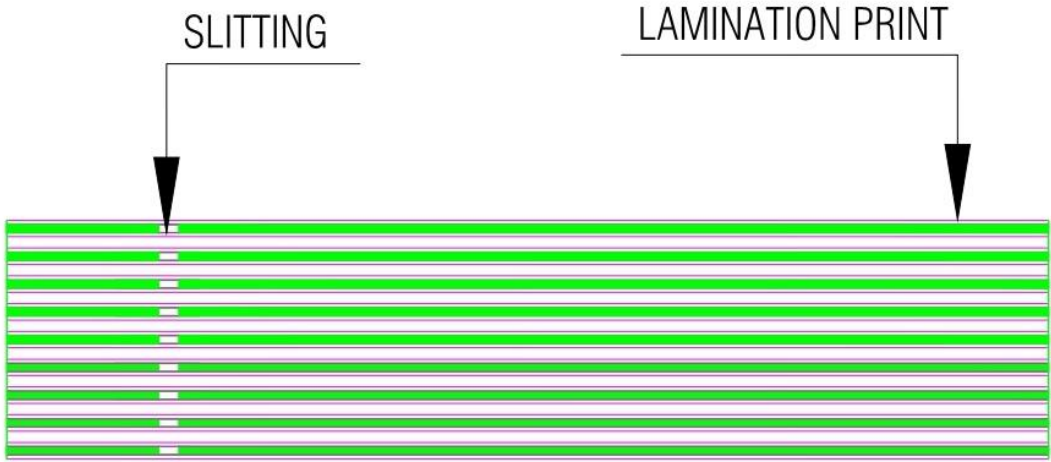
2 UPS PRINT VERTICAL



Different Possible Size & More :-

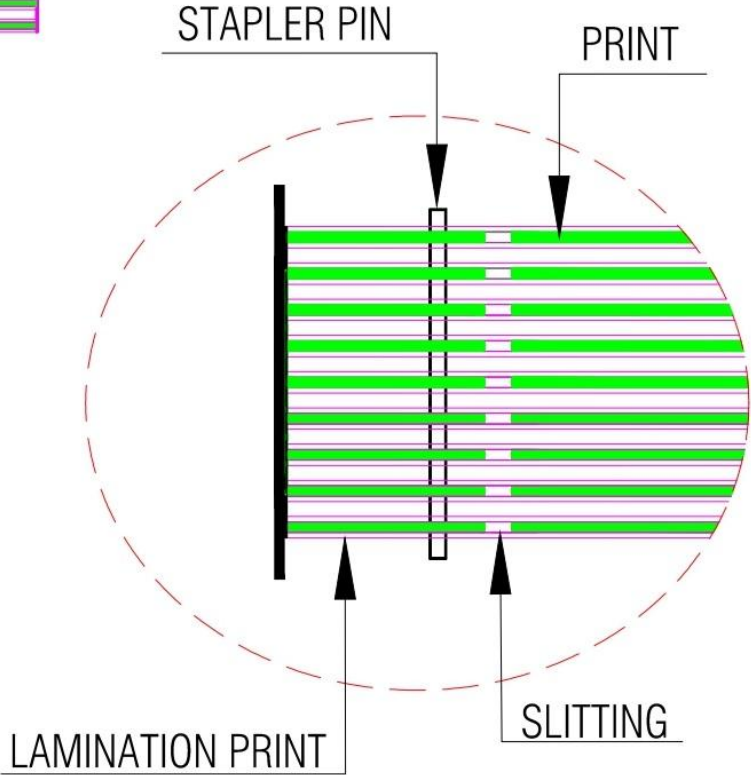
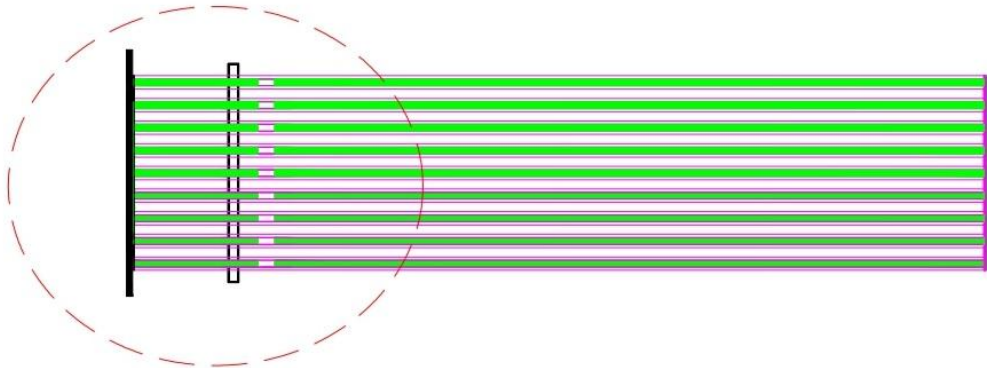
- 1.) 30cm x 30cm
- 2.) 38cm x 30cm
- 3.) 48cm x 30cm





STACK THE PRINTS WITH RIGHT ANGLE

STACK THE PRINTS WITH RIGHT ANGLE



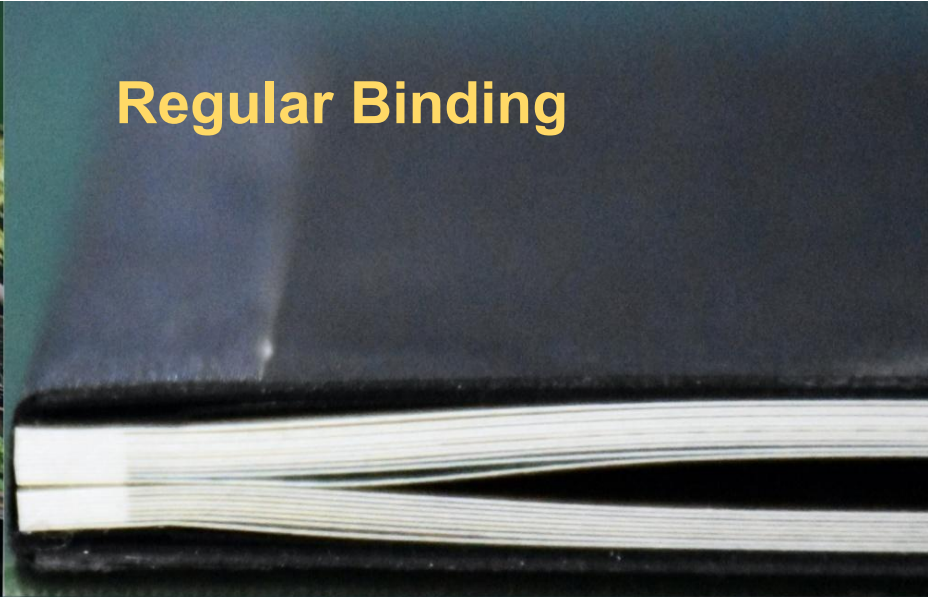
APPLICATION IN VARIOUS INDUSTRIES

VISUAL BOOKS :

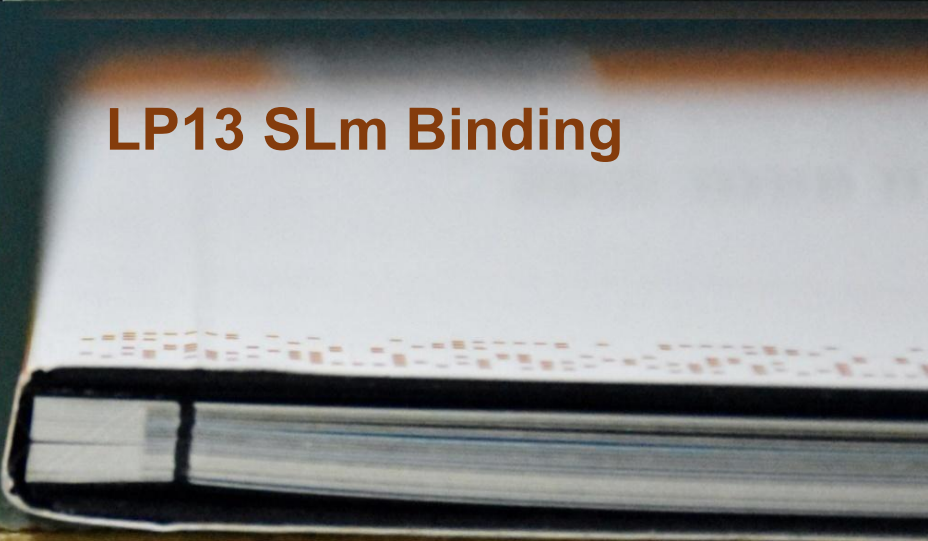
- Architecture.
- Home Decor & Interior Design.
- Automobile.
- Food & Pharmacy.
- Fashion.
- Travelling.
- Wedding.
- Baby Albums.
- School Albums.



Regular Binding



LP13 SLm Binding



PIV^{IN}ACLE[®]



pinnacletechnocrats.com



sales@pinnacletechnocrats.com

